

ionmax⁺

ED18

Industrial Desiccant Dehumidifier



USER MANUAL

Version 1.1. Updated Feb 2022.

DEAR CUSTOMER

Thank you for purchasing the Ionmax+ ED18 Industrial Desiccant Dehumidifier. This dehumidifier is designed for continuous use over a long period of time with minimal supervision and maintenance. Paired with a WI-FI app, you can control and monitor your indoor air humidity easily from your mobile phone.

Please read this manual carefully before use to ensure proper usage and save these instructions for future reference.

The package includes:

- Ionmax+ ED18 Dehumidifier
- User Manual

CONTENTS

SAFETY INSTRUCTIONS	3
PRODUCT DIAGRAM	4
HOW IT WORKS	5
UNIT SETUP	6
CONTROL PANEL	8
WI-FI SETUP	9
APP SETTINGS	11
CLEANING AND MAINTENANCE	12
TROUBLESHOOTING GUIDE	13
SPECIFICATIONS	14
WARRANTY DETAILS	15
WARRANTY REGISTRATION	17

SAFETY INSTRUCTIONS



PLEASE READ ALL INSTRUCTIONS CAREFULLY BEFORE OPERATING.

When using electrical appliances, basic safety precautions should always be followed:

- The unit is designated for indoor operation. Never operate or store the unit in direct sunlight.
- This appliance is not intended for use by persons (including children) with reduced physical, sensory or mental capabilities, or lack of experience and knowledge, unless they have been given supervision or instruction concerning the use of the appliance by a person responsible for their safety.
- Children should be supervised to ensure that they do not play with the appliance.
- Do not clean the dehumidifier by spraying it or immersing it in water. Do not use any chemicals when cleaning the dehumidifier.
- Do not insert any object into the opening of the dehumidifier. Do not place anything on top of the dehumidifier and do not cover with any kind of material while in use.
- Do not unplug the power cord before pressing the Power key to "OFF", as this could damage the dehumidifier.
- Disconnect from the mains when unit is not in use, when moving the unit, and before cleaning the unit or any of its components. To disconnect, grip the plug with dry hands and pull from the socket. Never pull by the cord.
- Do not run power cord under carpeting, or cover with rugs or runners. Arrange the cord away from areas where it may be tripped over.
- Never connect to an electrical outlet using an extension cord. If an outlet is not available, one should be installed by a licensed electrician.
- Place the dehumidifier in location appropriate to the appliance IP rating (see technical data).
- Any service other than regular cleaning setting fan mode or filter replacement should be performed by an authorised service representative. Failure to do so could result in a loss of warranty. Your dehumidifier is supplied with an electrical cable (~2m) and an earthed plug.
- Never operate this appliance if it has a damaged cord or plug. If the supply cord is damaged an approved service representative or a similar qualified person must replace it in order to avoid any hazards.
- There should be direct access to the electrical plug after connecting the power.
- This product is not made for DIY repair.
- Do not use your dehumidifier under the following conditions:
 - if the power cable is damaged
 - close to heat source
 - near flammable gas or combustibles, such as gasoline, benzene, thinner, etc. as it may cause an explosion or fire.
 - where small children or pets may be left unattended
 - where the power cable may be easily damaged
 - where there is a risk of liquids falling on the unit
 - where it may be damaged by chemicals

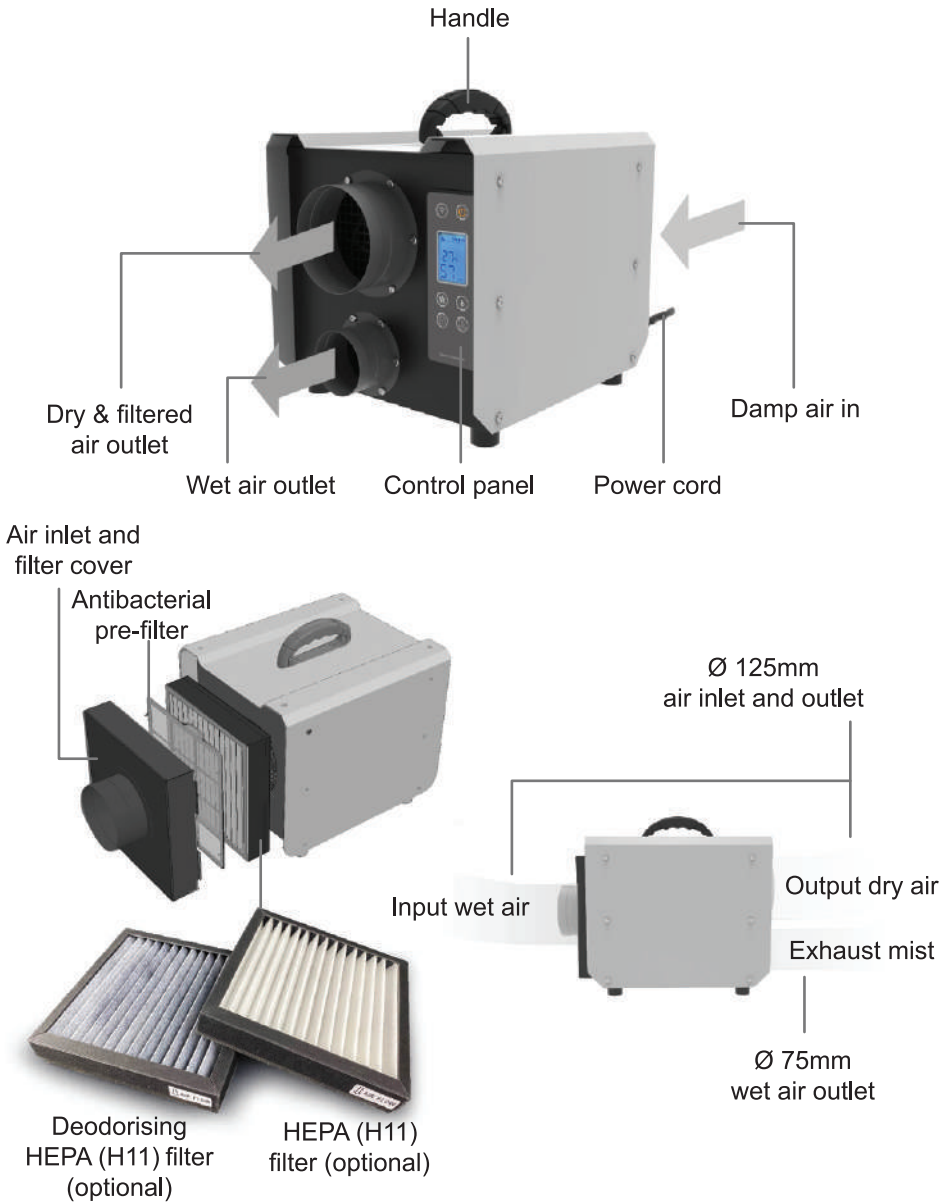


The installation must be in accordance with the regulations of the country where the unit is used.



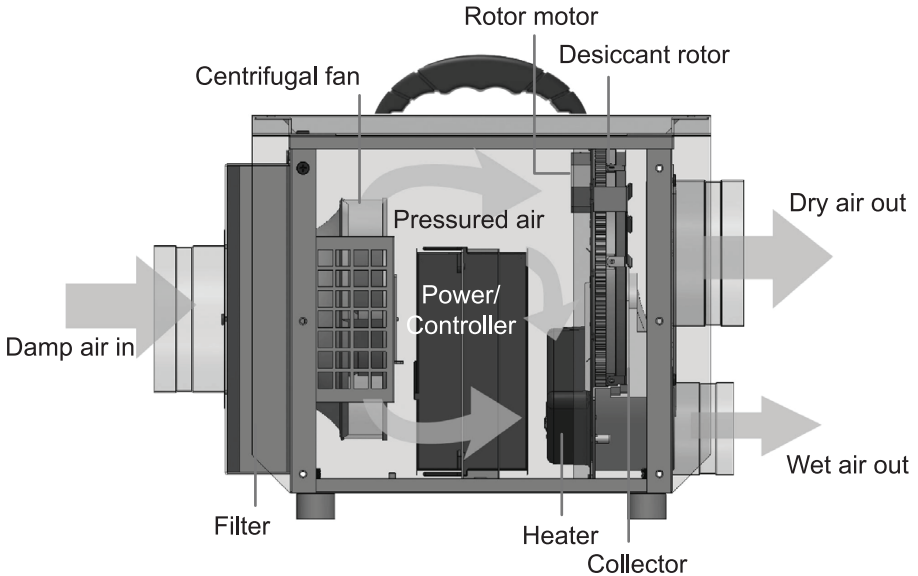
This appliance must be earthed and should only be connected to an earthed 220 – 240 V / 50 Hz mains supply.

PRODUCT DIAGRAM



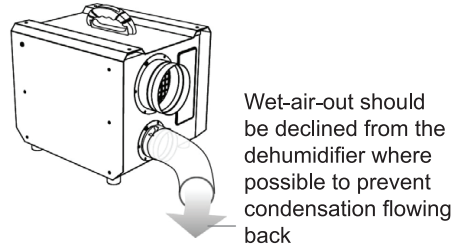
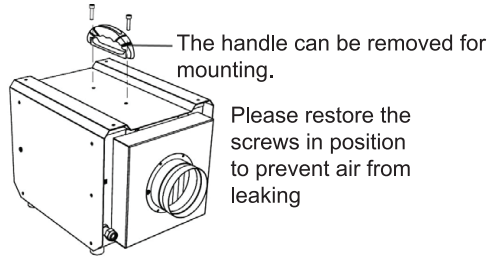
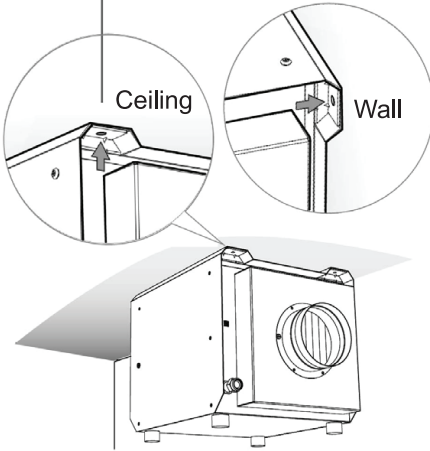
HOW IT WORKS

The air to be processed is suctioned via a filter into the cabinet by a centrifugal fan. The pressured air mainly passes a desiccant rotor to leave moisture on it and becomes dry air flowing out through the main outlet. A motor slowly drives the rotor to pass through a heater-collector portion where the moisture on the rotor will be evaporated out to the wet air outlet, and the rotor is regenerated for later moisture adsorption again. The wet air is a small part of the pressured air that passes the heater to be heated up and then passes the rotor to bring moisture out.



UNIT SETUP

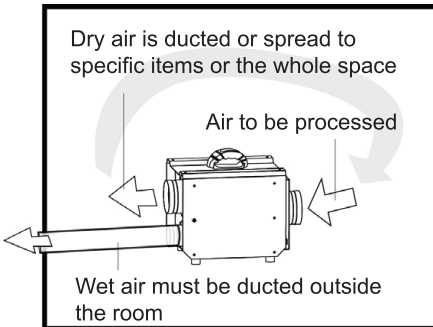
Mount the unit onto the ceiling, wall, or an inclined plane using the four holes on top of the unit.



Positioning the dehumidifier

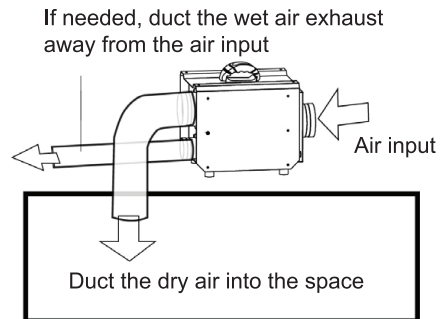
The dehumidifier is designed for indoor use, but can be placed either inside (internal positioning) or outside (external positioning) the room to be dried.

A) Internal Positioning



1. Place centrally inside the room.
2. Ensure inlet and outlet ducts are clear of obstruction.
3. If required, ducts can be connect to the outlet and/or inlet to direct the drying to specific areas.
4. The wet air out **MUST** be ducted outside the room.

B) External Positioning



1. Connect ducting to the outlet to direct the dry airstream into the room to be dried.
2. Optionally, the inlet may also be ducted to the room to give a re-circulation effect.

NOTE:

1. As the wet-air-out-discharge is warm and very humid, ensure it is directed where it will have no adverse effect on the immediate environment.
2. Keep the duct length as short as possible to minimize static pressure loss.
3. All duct connections must be air tight and vapor tight to ensure full performance.
4. The ducting must be insulated when there is a risk of freezing.
5. The opening to the inlet duct should be located to prevent picking up dust and debris, rain and snow or contaminants such as engine exhaust gases, steam and harmful vapors.
6. Wet air duct must resist corrosion and withstand up to 70°C.
7. Wet-air-out should be declined from the dehumidifier where possible if there is a risk of any condensation build up in the exhaust duct running back into the dehumidifier.
This can be avoided either with short wet-air-out duct lengths or adequately insulating the wet-air-duct to prevent condensation.
Should water be seen dripping from the dehumidifier, switch off the appliance immediately.
Allow water in the unit to dry completely.
Correct the defect in the wet-air-out ducting and reconnect to the power to start operating again.
Do not operate if there is a concern the unit is not thoroughly dry inside.
8. The wet-air-out flange outlet is 73mm and is compatible with pipes sized 76mm or 75mm (with fastener).
Decreasing the exhaust pipe diameter will decrease performance. Flexible ducting may be used on all inlets and outlets.
All ducting lengths should be kept to a minimum. Longer lengths will reduce performance.
For the maximum recommended lengths, refer to the Specifications table (page 14).
9. Input air filter must be used to prevent contamination to the interior components of the machine.
10. Periodical cleaning or replacement of the filter is required.

CONTROL PANEL

WI-FI PAIRING

Press 3 seconds to start or change Wi-Fi / APP pairing (see pg. 9)

FAN/MODE KEY

Choose between:

Low: runs low fan, low heater

Medium: runs medium fan, medium heater

High: runs high fan, high heater





Auto*: runs High when ambient humidity is more than 10% higher than the setting; Medium when 8~6% higher; and Low when less than 4% higher. *Available only on Cont mode.

AUTO-OFF TIMER

Press to set an auto-off timer in increments of 1 hour from 1 to 23h or increments of 1 day from 1 to 7d, or OFF (no timer).

14 hr or 2d

FAN/MODE DISPLAY

Auto 
 Low 
 Medium 
 High 

MULTI ITEMS DISPLAY

Temperature or humidity setting: 26°C 78°F 65%RH

Shows ambient humidity (0~99%RH)



ON/OFF KEY

To switch the unit on and off. When switched on again, it will run using its previous settings (excluding Timer).

Note: If power failure occurs when the unit is switched on, it will automatically resume operation when power resumes.

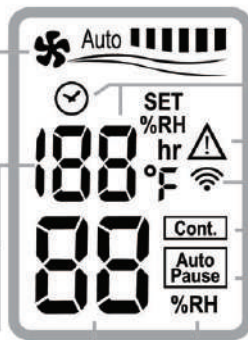
HUMIDITY SETTING KEY


Press to set desired humidity level between 30 to 70 %RH (in increments of 5%RH) or Cont (Continuous) mode.


3 seconds after setting the Humidity or Timer, the display screen will return to the homescreen showing all the current settings.

MULTI-ITEM DISPLAY SELECTION


Press to select between ambient temperature (°C or °F) or the humidity setting (%RH)




 shows when there is a timer set. After the timer is set, press the Timer setting key to display the days or hours remaining on the timer e.g. "3d" or "10hr"

 Shows when an error has occurred. Refer to Troubleshooting Guide to resolve.

 Blinks when Wi-Fi App is pairing, stays lit when Wi-Fi App is paired.

 Shows on Cont (continuous) mode

 Shows when ambient humidity has reached the set RH level. Unit will stop operating and run periodically to detect ambient humidity. When ambient humidity is 5% more than set RH level, unit will resume operation.

WI-FI SETUP

Download the Ionmax app on your mobile phone.

Go to: <https://bit.ly/ionmax-app>

Plug in the dehumidifier to an appropriate power supply. Make sure your phone is connected to your 2.4G Wi-Fi network. Your mobile phone and the dehumidifier should be close to your router to get a strong Wi-Fi signal.

There are two methods of pairing - EZ and AP mode. Please try pairing using EZ mode first. To start, open the app and register or log in to your account.



EZ: Fast flashing

EZ Mode

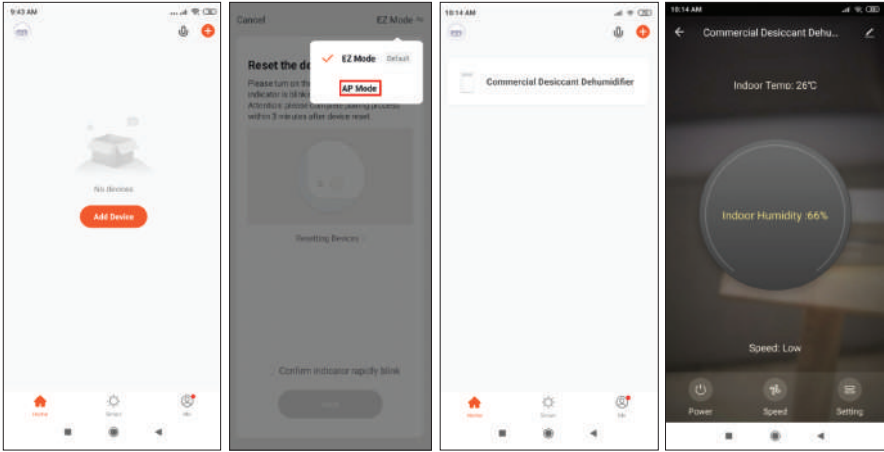
1. Press and hold the Wi-Fi button on the dehumidifier for 3 seconds, it will show EZ or AP.
2. Press the Wi-Fi button on the unit to scroll between EZ or AP mode.
3. Select EZ mode. The Wi-Fi indicator on the unit will be flashing rapidly.
Note: Pairing mode will end after 5 minutes if Wi-Fi Setup is not completed.
4. Wait for ~5 seconds for the app to automatically search and pair, then follow the prompts on the mobile app to continue.
5. Press “Add Device”.
6. Select “Industrial Dehumidifier”.
7. Continue following the prompts on the app to complete the Wi-Fi setup.



AP: Slow flashing

AP Mode

1. The Wi-Fi indicator will be flashing slowly.
2. On the mobile app, change the mode to AP.
3. Follow the prompts on the mobile app to continue connecting the Wi-Fi to the machine manually. Your phone's Wi-Fi will be disconnected momentarily during this step.
4. Once the Wi-Fi is connected to the phone, return to the mobile app again.
5. The mobile app will display a success message once the dehumidifier is successfully paired to your Wi-Fi network.



Add Device

EZ or AP modes on app

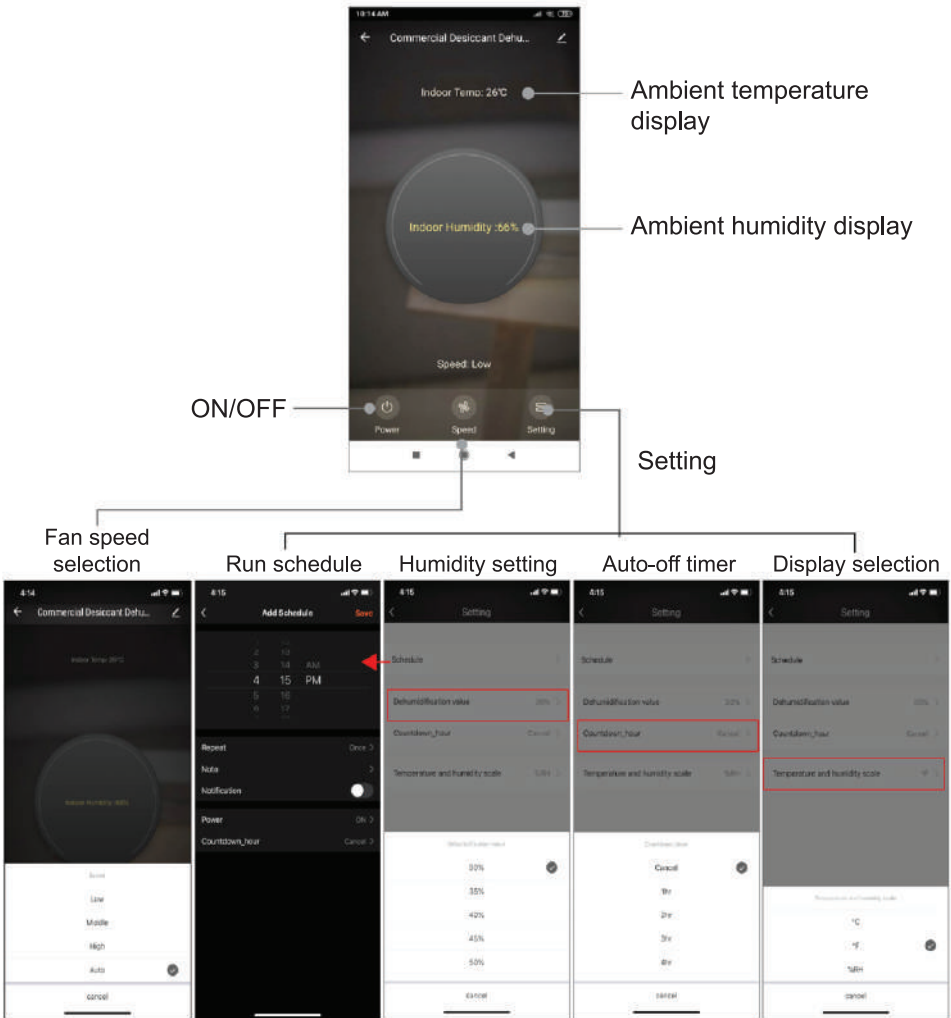
Device added successfully

Enter the device interface

Note: During Wi-Fi Setup, please ensure that the dehumidifier's selected Wi-Fi mode (EZ or AP) is the same as the selected mode on the mobile app.

APP SETTINGS

Once the dehumidifier is successfully paired with the mobile app, the following settings can be monitored and controlled from the app:



CLEANING AND MAINTENANCE

The dehumidifier is designed for continuous use over a long period of time with minimal supervision. Under normal operating conditions, maintenance requirements are minimal. The service interval depends mainly on the operational conditions and working environment.

Cleaning

1. Disconnect from the power supply before cleaning or servicing the unit or any of its components.
2. Wipe thoroughly clean with a moist cloth (a soft, damp cloth) and a mild household detergent.

DO NOT clean any parts of the dehumidifier by spraying it or immersing it in water.

DO NOT use any chemicals, petrol, aggressive detergents or other cleansing solutions when cleaning the dehumidifier.

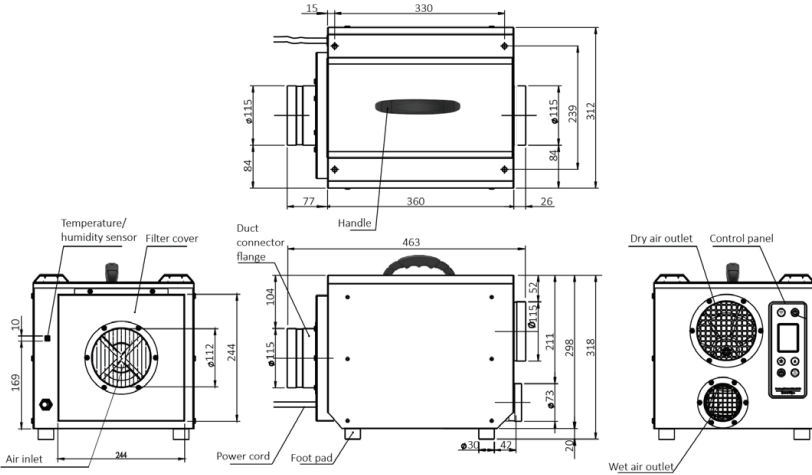
Components	Maintenance
Anti-bacterial pre-filter	<p>The pre-filter should be checked periodically (~every 2 months) and cleaned if necessary.</p> <p>Remove it from the dehumidifier, then clean with a vacuum cleaner or hand wash with water only.</p> <p>Ensure it is completely dry before replacing it into the dehumidifier.</p> <p>Replace the pre-filter if it is broken.</p> <p>ATTENTION: Do not run the dehumidifier without the pre-filter fitted as dust will impair the performance of the rotor.</p>
HEPA or deodorising HEPA filter	<p>Replace after 6 months of use, or less if the process air contains heavy pollutants.</p>
Unit casing	<p>Check for physical damage and clean the outside of the unit as necessary.</p>
Power cord	<p>Always check if the cord and plug are in good condition.</p> <p>Call an authorised service agent if repair is needed.</p>

TROUBLESHOOTING GUIDE

Problem	Probable Cause	Solution
Device not dehumidifying enough	Set humidity level is too high	Choose a lower humidity setting for drier air
	The filter is blocked and is reducing the performance	Clean or replace the filter(s)
Device is not operating and "Auto Pause" is shown	The unit stops dehumidifying when ambient humidity has reached the setting. The unit will periodically run on fan circulation for a few minutes to check the ambient humidity level.	This is normal. The unit will resume operation when ambient humidity is 5% higher than the set humidity level.
Device is not operating and shows warning symbol and "E" messages	E1 or E2: The ambient temperature is outside of the working temperature range, higher than 40°C or lower than -15°C	This is normal. The unit will resume operation when the ambient temperature is within range (-15 ~ 40°C)
	E5 or E8: Safety protection as internals are overheated	Unplug the unit. Check if the air inlet, filter or air outlet is blocked. Clean or remove any obstructions. Wait for at least 30 minutes before restarting the unit.
	Other E code: Internal sensing failure	Contact authorised repair center.

If the problem still persists, contact a local authorised repair center. Do not disassemble or repair by yourself.

SPECIFICATIONS



Model	Ionmax+ ED18
Voltage / frequency	220-240V ~50Hz
Power consumption (H)	850W
Capacity (20°C,60%RH)	19L/d; 17L/d with HEPA filter (@240V)
Controls	Tact-switch keys and LCD Remote control & Wi-Fi pairing with mobile app
Filters	Washable antibacterial pre-filter; Optional: HEPA or Deodorising HEPA filter
Working environment	-15°C~40°C
Dried airflow	Appr. 210m ³ /h/100P or 150m ³ /h with HEPA filter
Humid airflow	Appr. 35CMH/50Pa
Duct connector, humid air	Ø73xL48mm - Max. 3m length
Duct connector, dried air	Ø115xL56mm - Max. 5m length
Duct connector, input air	Ø115xL56mm - Max. 5m length
Net weight	13kg
Gross weight	14.5kg
Product dimensions (mm)	W312 x D463 x H318
Packed dimensions (mm)	W375 x D515 x H397



WARRANTY DETAILS

Congratulations on your purchase! It is our aim to provide you with quality products that you can trust. Our goods come with guarantees that cannot be excluded under the Australian Consumer Law. You are entitled to a replacement or refund for a major failure and compensation for any other reasonably foreseeable loss or damage.

You are also entitled to have the goods repaired or replaced if the goods fail to be of acceptable quality and the failure does not amount to a major failure.

The Guarantee

The product is guaranteed to be free from defects in workmanship and parts for a period of 24 months from date of purchase. Defects that occur within this warranty period, under normal use and care, will be repaired, replaced or refunded at our discretion, solely at our option with no charge for parts and labour. The benefits conferred by this warranty are in addition to all rights and remedies in respect of the product that the consumer has under the Trade Practices Act and similar state laws.

Proof of Purchase

This warranty is valid for the original purchase and is not transferable. Please keep your purchase docket or receipt as proof of purchase and as proof of date on which the purchase was made. The purchase docket (or a copy) or receipt must be presented with the warranty when making a claim under this warranty.

Service during the Warranty Period

To claim for warranty, contact us on 1300 800 200 or support@andatech.com.au to get an RA# (Return Authorisation Number) or submit a support ticket on my.andatech.com.au. Ensure that the RA# is clearly stated on the outside of the packaging and that the product is properly packaged so that no damage occurs to the product during transit. Shipping of the product back to us for warranty will be at your cost. A product return without the RA# will not be accepted.

Extent of Warranty

This warranty is limited to defects in workmanship or parts. All defective products or parts will be repaired or replaced. This warranty does not cover manuals and packaging.

Normal Wear and Tear

This warranty does not cover normal wear and tear to the product or parts.

Exclusions

This warranty does not cover:

- Any defect caused by an accident, misuse, abuse, improper operation, lack of reasonable care, unauthorised modification, loss of parts, tampering or attempted repair by a person not authorised by the distributor.
- Any product that has been damaged by a lightning strike either directly or indirectly or a main power surge or liquid ingress.
- The product if it is located outside of Australia.
- Any damage caused by improper power input or improper cable connection.

Andatech Pty. Ltd.

PO Box 3038, Nunawading VIC 3131, Australia.

Phone: 1300 800 200 Fax: 1300 883 802 Email: support@andatech.com.au



WARRANTY REGISTRATION

Register your Ionmax+ ED18 online at my.andatech.com.au or fill out this form and forward to the address below with a copy of your proof of purchase. Contact us on 1300 800 200 or visit andatechdistribution.com.au for options to extend your warranty.

Andatech Pty Ltd
PO Box 3038, Nunawading VIC 3131, Australia.

Product	:	Ionmax+ ED18
Date of Purchase	:	_____
Place of Purchase	:	_____
Serial No.	:	_____
Surname	:	_____
Given Name	:	_____
Address	:	_____
Suburb	:	_____
Postcode	:	_____
State	:	_____
Contact No.	:	_____
Email	:	_____





andatechdistribution.com.au

1300 800 200